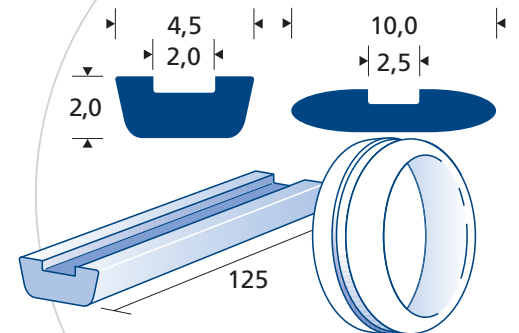


## SILICONE SPONGE IMPLANTS

round							
	<b>G-34656</b> <b>503 Style</b> Round silicone sponge implant, ø: 3,0 mm, 80 mm long, 5 per box, sterile	<b>G-34658</b> <b>504 Style</b> Round silicone sponge implant, ø: 4,0 mm, 80 mm long, 5 per box, sterile	<b>G-34660</b> <b>505 Style</b> Round silicone sponge implant, ø: 5,0 mm, 80 mm long, 5 per box, sterile	<b>G-34662</b> <b>505T Style</b> Silicone tunnel sponge implant, ø: 5,0 mm, 80 mm long, 5 per box, sterile			
	oval						
		<b>G-34664</b> <b>501 Style</b> Oval silicone sponge implant, 2,5 mm short ø x 4,0 long ø, 80 mm long, 5 per box, sterile	<b>G-34666</b> <b>506 Style</b> Oval silicone sponge implant, 3,0 mm short ø x 5,0 long ø, 100 mm long, 5 per box, sterile	<b>G-34668</b> <b>507 Style</b> Oval silicone sponge implant, 5,5 mm short ø x 7,5 long ø, 80 mm long, 5 per box, sterile	<b>G-34670</b> <b>509 Style</b> Oblong silicone sponge implant, 3,5 mm short ø x 7,5 long ø, 80 mm long, 5 per box, sterile		
grooved							
		<b>G-34672</b> <b>506G Style</b> Grooved silicone sponge implant, 2,5 mm groove, W5.0xH3.0xL80mm, 5 per box, sterile	<b>G-34674</b> <b>507G Style</b> Grooved silicone sponge implant, 2,5 mm groove, W7.5xH5.5xL80mm, 5 per box, sterile	<b>G-34676</b> <b>508G Style</b> Grooved silicone sponge implant, 2,5 mm groove, W12.0xH4.0xL80mm, 5 per box, sterile	<b>G-34678</b> <b>509G Style</b> Grooved silicone sponge implant, 2,5 mm groove, W7.5xH3.5xL80mm, 5 per box, sterile	<b>G-34680</b> <b>516G Style</b> Grooved silicone sponge implant, 2,5 mm groove, W6.4xH2.3xL80mm, 5 per box, sterile	<b>G-34682</b> <b>519G Style</b> Grooved silicone sponge implant, 2,5 mm groove, W7.5xH3.2xL80mm, 5 per box, sterile
	half round / half oval						
		<b>G-34684</b> <b>510 Style</b> Half round silicone sponge implant, W5.0xH2.5xL80mm, 5 per box, sterile	<b>G-34686</b> <b>511 Style</b> Half oval silicone sponge implant, W7.5xH2.75xL80mm, 5 per box, sterile	<b>G-34688</b> <b>515 Style</b> Half oval silicone sponge implant, W5.0xH3.33xL80mm, 5 per box, sterile	<b>G-34690</b> <b>517 Style</b> Half oval silicone sponge implant, W7.5xH3.66xL80mm, 5 per box, sterile		

## IMPLANTS FOR RETINAL DETACHMENT



## SILICONE TIRE

asymmetrical				
	<b>G-34600</b> <b>275 Style</b> Silicone tire, asymmetrical, 6.0 mm wide, 2.5 mm groove, 5 per box, sterile	<b>G-34602</b> <b>276 Style</b> Silicone tire, asymmetrical, 7.0 mm wide, 2.5 mm groove, 5 per box, sterile	<b>G-34604</b> <b>278 Style</b> Silicone tire, asymmetrical, 8.5 mm wide, 2.5 mm groove, 5 per box, sterile	<b>G-34606</b> <b>280 Style</b> Silicone tire, asymmetrical, 10.0 mm wide, 2.5 mm groove, 5 per box, sterile
	convex			
<b>G-34608</b> <b>286 Style</b> Silicone tire, convex, 6.0 mm wide, 2.5 mm groove, 5 per box, sterile		<b>G-34610</b> <b>287 Style</b> Silicone tire, convex, 7.0 mm wide, 2.5 mm groove, 5 per box, sterile	<b>G-34612</b> <b>287WG Style</b> Silicone tire, convex, 7.0 mm wide, 3.5 mm groove, 5 per box, sterile	<b>G-34614</b> <b>289 Style</b> Silicone tire, convex, 10.0 mm wide, 2.5 mm groove, 5 per box, sterile
concave				
	<b>G-34616</b> <b>277 Style</b> Silicone tire, concave, 7.0 mm wide, 2.5 mm groove, 5 per box, sterile	<b>G-34618</b> <b>279 Style</b> Silicone tire, concave, 9.0 mm wide, 2.5 mm groove, 5 per box, sterile		

## SILICONE STRIPS

ungrooved			
	<b>G-34624</b> <b>41 Style</b> Silicone strip, W 3.5 x H 0.75 x L 125 mm, 5 per box, sterile	<b>G-34626</b> <b>42 Style</b> Silicone strip, W 4.0 x H 1.25 x L 125 mm, 5 per box, sterile	<b>G-34628</b> <b>N/A Style</b> Silicone strip, W 5.0 x H 1.0 x L 125 mm, 5 per box, sterile
	grooved		
<b>G-34630</b> <b>20 Style</b> Grooved silicone strip, W 4.0 x H 1.25 x L 125 mm, 2.0 mm groove, 5 per box, sterile		<b>G-34632</b> <b>31 Style</b> Grooved silicone strip, W 4.5 x H 2.0 x L 125 mm, 2.0 mm groove, 5 per box, sterile	<b>G-34634</b> <b>32 Style</b> Grooved silicone strip, W 5.0 x H 2.5 x L 125 mm, 2.0 mm groove, 5 per box, sterile
<b>G-34636</b> <b>219 Style</b> Grooved silicone strip, W 4.5 x H 1.25 x L 100 mm, 2.5 mm groove, 5 per box, sterile	<b>G-34638</b> <b>220 Style</b> Grooved silicone strip, W 6.0 x H 1.5 x L 100 mm, 2.5 mm groove, 5 per box, sterile	<b>G-34640</b> <b>225 Style</b> Grooved silicone strip, W 5.0 x H 3.7 x L 100 mm, 2.5 mm groove, 5 per box, sterile	

## SLEEVES

<b>G-34642</b> <b>70 Style</b> Silicone sleeve, 1.0 inside $\phi$ x 2.1 outside $\phi$ mm, 30 mm long, 5 per box, sterile	<b>G-34644</b> <b>72 Style</b> Silicone sleeve, 1.5 inside $\phi$ x 2.4 outside $\phi$ mm, 30 mm long, 5 per box, sterile
<b>G-34646</b> <b>270 Style</b> Silicone sleeve, 0.76 inside $\phi$ x 1.65 outside $\phi$ mm, 30 mm long, 5 per box, sterile	

## CIRCLING BANDS

<b>G-34620</b> <b>40 Style</b> Silicone circling band, W 2.0 x H 0.75 x L 125 mm 5 per box, sterile	<b>G-34622</b> <b>240 Style</b> Silicone circling band, W 2.5 x H 0.60 x L 125 mm 5 per box, sterile

## MERIDIONAL SILICONE IMPLANTS

<b>G-34648</b> <b>103 Style</b> Meridional silicone implant 15.0 mm long 5 per box, sterile	<b>G-34650</b> <b>106 Style</b> Meridional silicone implant 15.0 mm long 5 per box, sterile	<b>G-34652</b> <b>112 Style</b> Meridional silicone implant 12.0 mm long 5 per box, sterile

## WEDGES

<b>G-34654</b> <b>137 Style</b> Silicone wedge, 2.5 mm groove, 5 per box, sterile